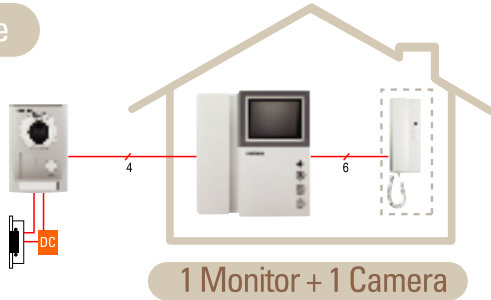
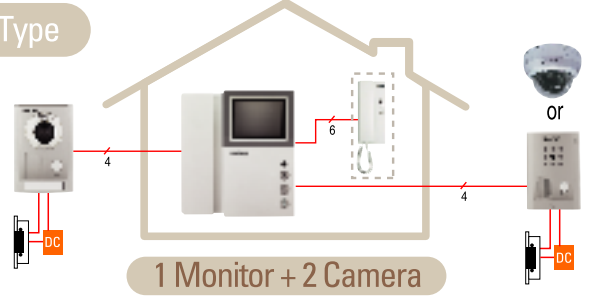


SECURITY PHONE KVM-301/KVM-D301

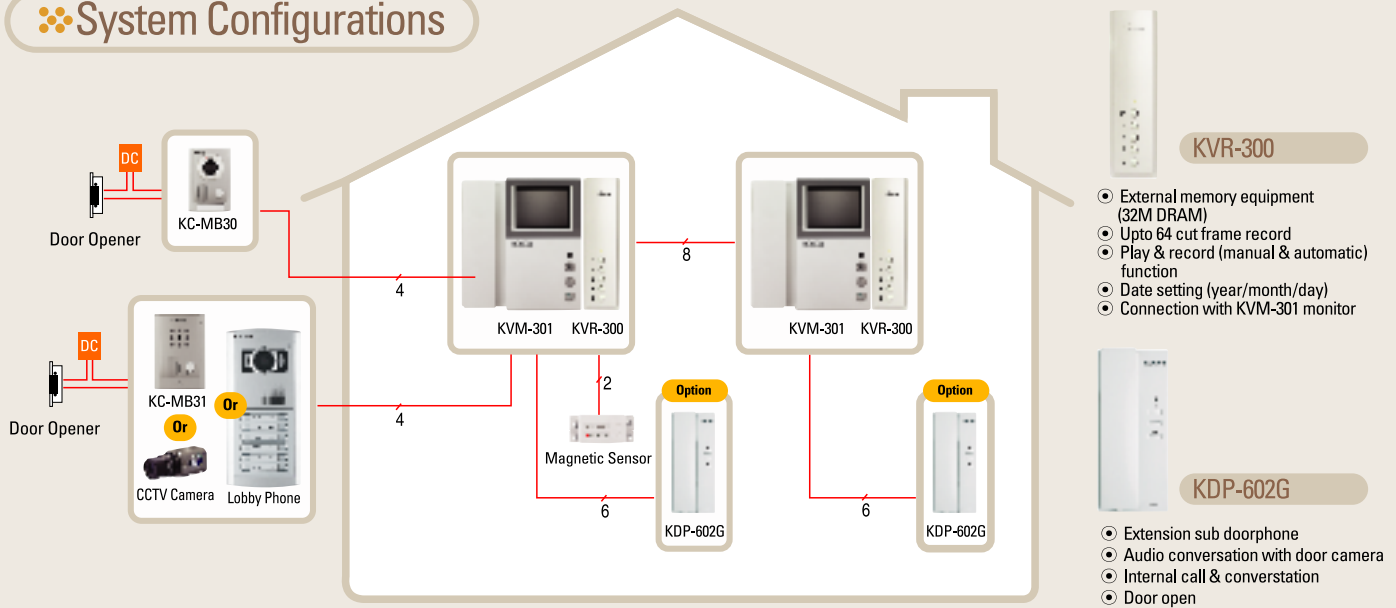
1 Type



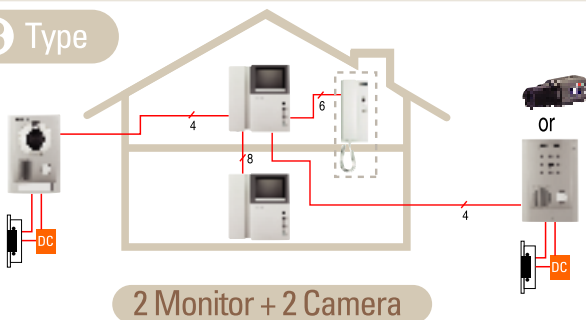
2 Type



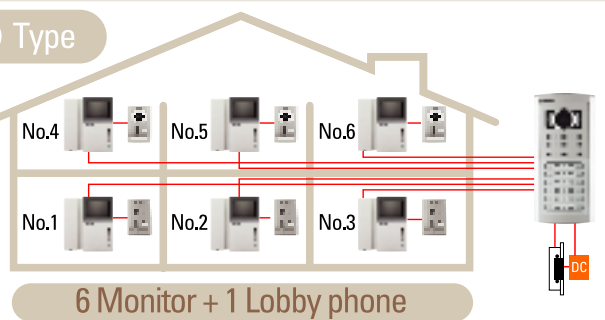
System Configurations



3 Type



4 Type



Specifications

※ The product may include optional or additional functions.

Model no.	KVM-301	KVM-D301
Power	SMPS AC90V ~ 240V	DC 17V
Power consumption	Max. 15W, Stand by 2W	
Assurance temperature	0°C ~ +50°C	
Communcation system	Duplex handset conversation	
CRT	4" flat tube	
Wiring	4 wires (camera), 6 wires (audio phone), 8 wires (video phone)	

Max. wiring distance	Ø0.65 single cable : 100m, 5C-2V coaxial cable : 150m
Mount type	Surface mount
Dimension (mm)	210(W)X222(H)X57(D)
Indoor unit connection	KDP-602G (Audio phone), KVM-301 (B/W video phone)
Camera connection	KC-D33, KC-D20, KC-MB20, KC-MB12, KC-MB14, KC-MB30, KC-MB31, KC-B61 KLP-302, KLP-304, KLP-306, KLP-308, KLP-312 KLP-P302, KLP-P304, KLP-P306, KLP-P308, KLP-P312